



mark-it®

Nursery Catalogue

Labels & Tags / Ribbons / Printers & Servicing / VIP Solutions



Nursery Tags

2-4

- Blank - white weather proof synthetic tags
- Perforated between each tag
- Thermal Transfer - ribbon required

Thermal Transfer Ribbons

5

- Thermal ribbons to suit most desktop & commercial printers

Printers & Servicing

6-7

- Desktop & commercial printer solutions
- Servicing
- Label software



Thanks for taking the time to look through the Kiwi Labels Nursery Catalogue. It showcases a specific range of tags, labels, ribbons and printers which we supply ex-stock to the New Zealand market.

At the core of Kiwi Labels is our driven and passionate team of label and tag experts, dedicated to providing quality products and service to every customer.

Kiwi Labels custom-manufactures printed labels and tags for many industries, so whether yours is a boutique business or a large enterprise, Kiwi Labels can deliver a quality label or tag solution to enhance your brand.

We appreciate your business.

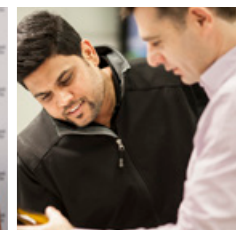
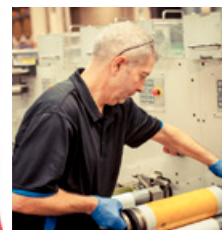
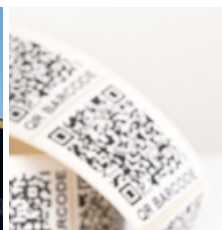
Kind regards.

Regan Fox

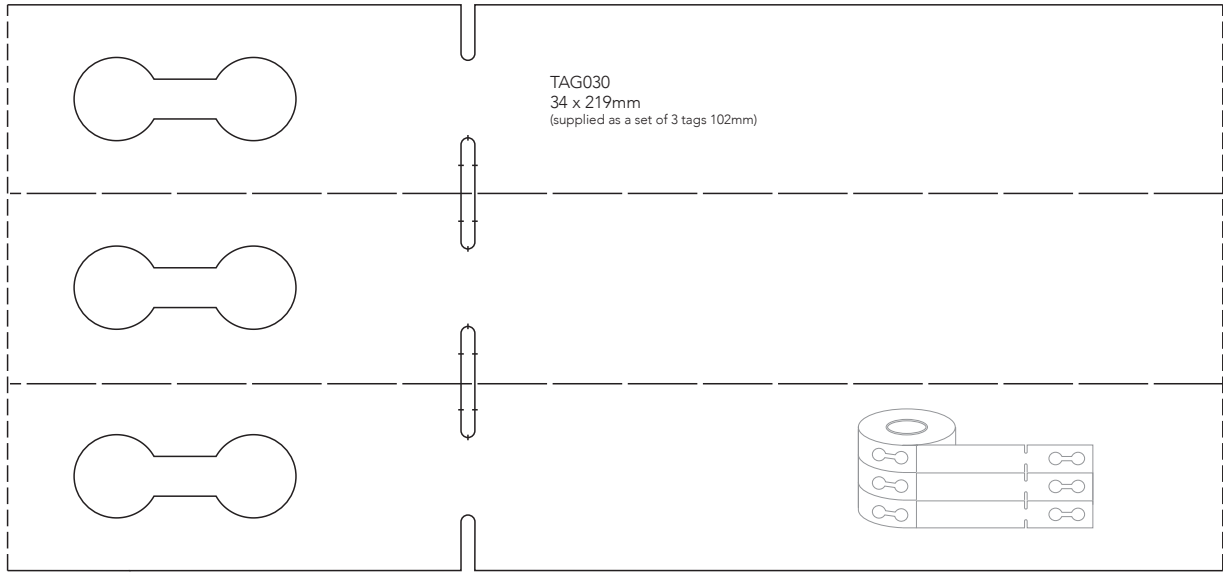
GM, Kiwi Labels, Christchurch, NZ. +64 3 3842903
regan.fox@kiwilabels.co.nz



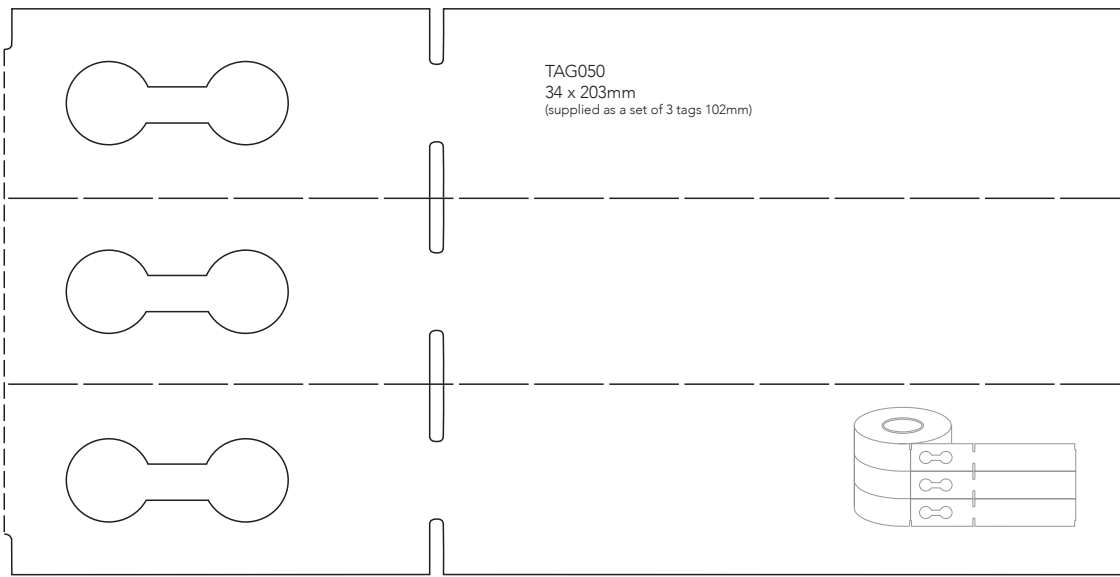
mark-it®



- Blank - white weather proof synthetic tags
- Perforated between each tag
- Thermal Transfer - ribbon required



Not Actual Size



Not Actual Size

Nursery Tags

Product Code	Product Description	Size (mm, WxL)	Core	Winding	Labels per roll	Rolls per carton
TAG030	Blank Synthetic Tie on Tag	34 x 219*	76mm	Outside	2100	6
TAG050	Blank Synthetic Tie on Tag	34 x 203*	76mm	Outside	2100	6

(i) Unit of Sale - per roll

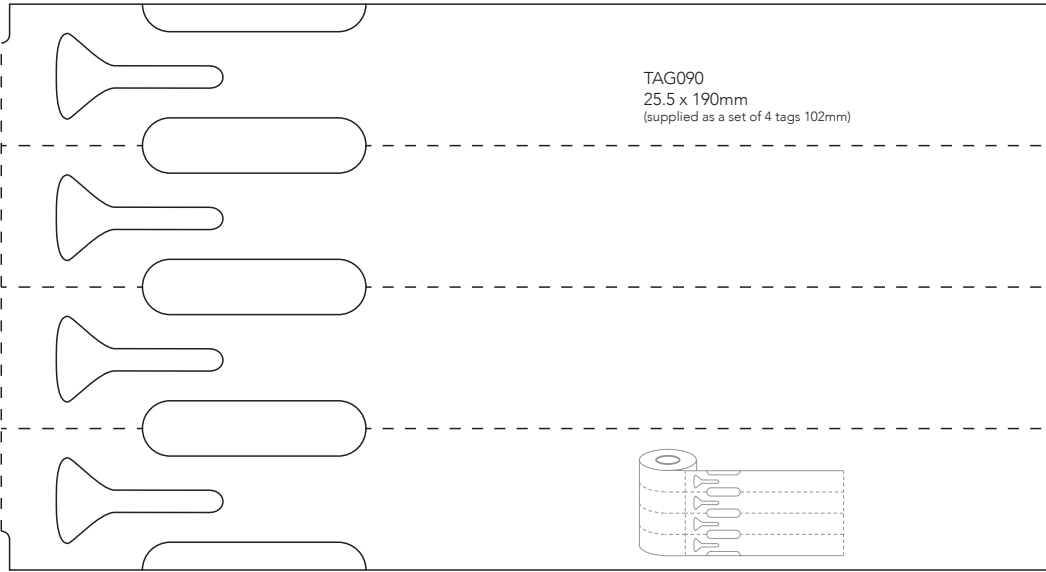
(ii) Unit of Sale - per roll full carton

Contact for pricing information

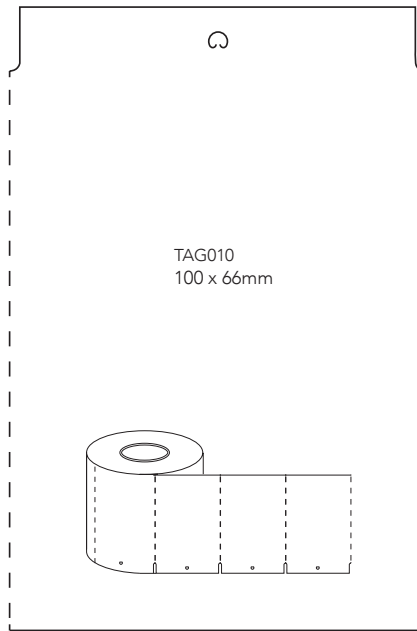
*supplied as a set of 3 tags 102mm



Add your brand - contact the Kiwi Labels team for pricing



Not Actual Size



Not Actual Size

Nursery Tags

Product Code	Product Description	Size (mm, WxL)	Core	Winding	Labels per roll	Rolls per carton
TAG090	Blank Synthetic Tie on Tag	25.5 x 190**	76mm	Outside	2500	6
TAG010	Blank Synthetic Stake Tag	100 x 66	76mm	Outside	1500	6

(i) Unit of Sale - per roll

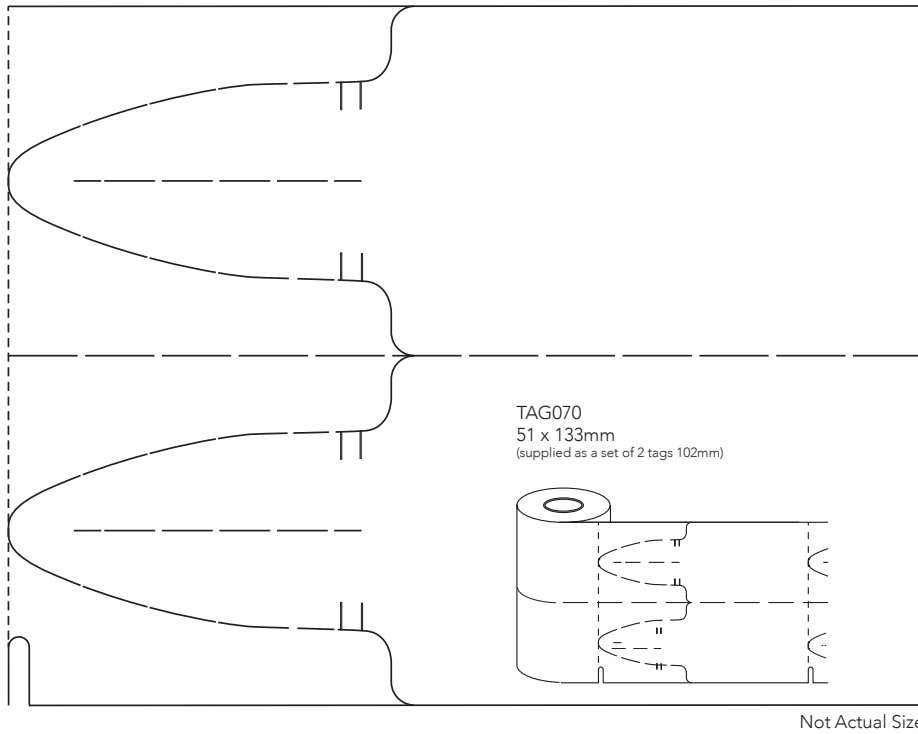
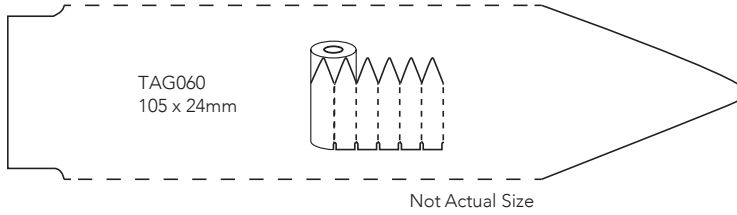
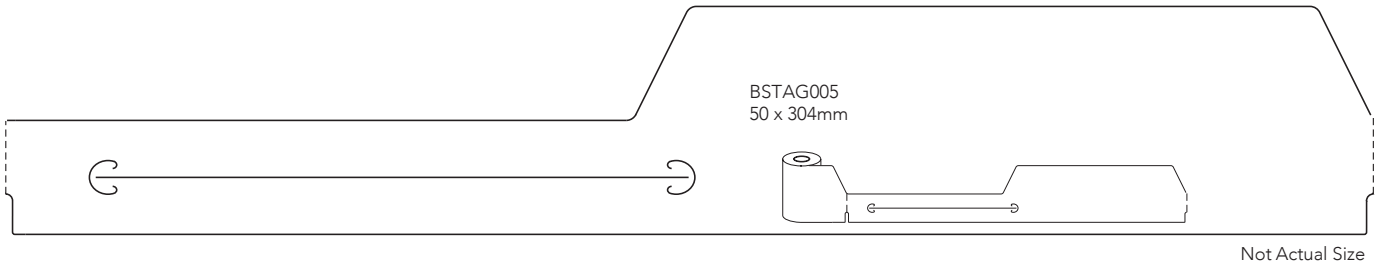
(ii) Unit of Sale - per roll full carton

Contact for pricing information

**supplied as a set of 4 tags 102mm



- Blank - white weather proof synthetic tags
- Perforated between each tag
- Thermal Transfer - ribbon required



Nursery Tags

Product Code	Product Description	Size (mm, WxL)	Core	Winding	Labels per roll	Rolls per carton
BSTAG005	Blank Thermal Synthetic Cricket Bat Tag	50 x 304	76mm	Outside	500	20
TAG060	Blank Synthetic Propagator Tag	105 x 24	76mm	Outside	2500	10
TAG070	Blank Synthetic Pot Tag	51 x 133*	76mm	Outside	1000	9

(i) Unit of Sale - per roll
 (ii) Unit of Sale - per roll full carton
 Contact for pricing information

*supplied as a set of 2 tags 102mm



Add your brand - contact the Kiwi Labels team for pricing

- Thermal ribbons to suit most desktop & commercial printers



Thermal Transfer Ribbons

Reorder Code	Ribbon	Winding	Ribbon Width (mm)	Ribbon Length (m)	Core
Wax - Flat Head					
RX01_110450O	Wax	Ink Out	110	450	25mm
RX01_11091O	Wax	Ink Out	110	91	13mm
RX01_130450I	Wax	Ink In	130	450	25mm
Wax / Resin - Flat Head					
R50_51300O	Wax / Resin	Ink Out	51	300	25mm
R50_80300O	Wax / Resin	Ink Out	80	300	25mm
R50_102360I	Wax / Resin	Ink In	102	360	25mm
R50_11072O	Wax / Resin	Ink Out	110	72	13mm
R50_110300O	Wax / Resin	Ink Out	110	300	25mm
R50_110450O	Wax / Resin	Ink Out	110	450	25mm
R50_110360I	Wax / Resin	Ink In	110	360	25mm
Wax / Resin - Near Edge					
R21_40600O	Wax / Resin	Ink Out	40	600	25mm
R21_53600O	Wax / Resin	Ink Out	53	600	25mm
R21_76600O	Wax / Resin	Ink Out	76	600	25mm
R21_89600O	Wax / Resin	Ink Out	89	600	25mm
R21_106600O	Wax / Resin	Ink Out	106	600	25mm
Resin - Flat Head					
R300_76600O	Resin	Ink Out	76	600	25mm
R300_110300O	Resin	Ink Out	110	300	25mm

- Alternative sizes and specifications maybe available

(i) Unit of Sale - per roll

Contact for pricing information



- Desktop & commercial printer solutions
- Servicing
- Label software

GODEX EZ2250i

The ideal printer for plant nurseries and pack-houses. Featuring a robust and simple design and a user-replaceable print head.



GODEX G500

The G500's 300m ribbon, plus optional External Label Roll Holder, provides maximum printing volume at a great price. Strong and stable mechanism for long term reliability.



GODEX DT4x

Small footprint makes this simple direct thermal-only printer ideal for address labels. Excellent Datamax emulation – works well with freight company software such as Mainfreight Freman Web.



GODEX ZX420i

This compact and robust printer is easy to use thanks to simple ribbon and media loading and an Auto Calibration button. This is the ideal printer for plant nurseries and pack-houses alike, where space is at a premium.



TOSHIBA B-FV410D

Compact, stylish and unobtrusive, yet powerful and flexible for any environment and application.



TOSHIBA B-EX4T1

Reliability and performance usually come at a cost but, with B-EX series, premium capabilities come as standard, essentially lowering initial capital outlay and future-proofing your investment.



TOSHIBA B-FV4T

Compact, stylish and unobtrusive, yet powerful and flexible for any environment and application.



Printers

GODEX						
Model	Print Method	Resolution / Max Speed	Max Print Width (mm)	Ribbon Length (m)	Max Label Roll O/D	Software / Features
EZ2250i	Thermal Transfer / Thermal Direct	203dpi 178mm per second	104mm	450m (on 25mm Core)	200mm (on 76mm core)	GoLabel Included
DT4x	Thermal Direct	203dpi 178mm per second	108mm	NA	127mm (250mm external)	GoLabel Included
G500	Thermal Transfer / Thermal Direct	203dpi 127mm per second	108mm	300m (on 25mm Core)	127mm (250mm external)	GoLabel Included
ZX420i	Thermal Transfer / Thermal Direct	203dpi 152mm per second	104mm	450m (on 25mm Core)	203mm (on 76mm core)	GoLabel Included

TOSHIBA						
Model	Print Method	Resolution / Max Speed	Max Print Width (mm)	Ribbon Length (m)	Max Label Roll O/D	Software / Features
B-FV410D	Thermal Direct	203dpi 152mm per second	108mm	NA	127mm (250mm external)	BarTender UltraLite
B-FV4T	Thermal Transfer / Thermal Direct	203dpi 152mm per second	108mm	300m (on 25mm Core)	127mm (203mm external)	BarTender UltraLite
B-EX4T1	Thermal Transfer / Thermal Direct	203dpi 355mm per second	104mm	600m (on 25mm Core)	200mm (on 76mm core)	BarTender UltraLite

300dpi available in most models

Accessories

We have a full range of accessories and optional extras available, including: external roll holders, internal and external rewinders, dispensers, ribbon-save modules, cutters, optional interfaces and hand-held applicators.



Printer Servicing & Repairs

Onsite Service / Repair - Customer Premises

Contact for pricing information

Offsite Service / Repair - Kiwi Labels Workshop

Contact for pricing information



mark-it[®]
Nursery Catalogue



mark-it[®] Nursery Catalogue

Labels

Kiwi Labels stock a wide range of plain self-adhesive labels, ideal for multiple applications including freight and barcode labelling. Customised fully printed labels are available on request.

Order Details

Contact us today via email or phone - simply let us know the Product Code and roll quantity of any items listed from this catalogue.

email

info@kiwilabels.co.nz

Freephone

0800 627 548

Christchurch

03 384 2903

Visit

6 Mary Muller Drive, Heathcote, Christchurch

Web.

www.kiwilabels.co.nz

Freight

South Island \$8 per carton*

North Island \$12 per carton*

Overnight service available

*rural charges may apply



mark-it®

www.kiwilabels.co.nz